

# Surface Area

## Question Paper

Level	GCSE
Subject	Maths
Exam Board	Edexcel GCSE
Topic	Surface Area
Grade Level	Grade 4
Booklet	Question Paper

**Time Allowed:** 41 minutes

**Score:** /34

**Percentage:** /100

**Grade Boundaries:**

1. The diagram shows a cuboid of dimensions  $10\text{cm} \times 8\text{cm} \times 5\text{cm}$ .

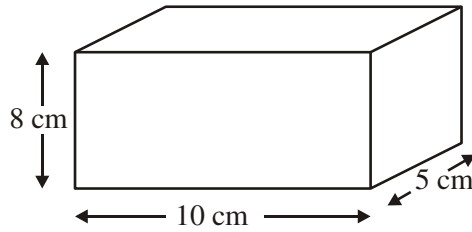


Diagram **NOT** accurately drawn

Work out the total surface area of the cuboid.

State the units with your answer.

.....

**(Total 4 marks)**

2. The diagram shows a solid cuboid which is 5 cm by 4 cm by 3 cm.

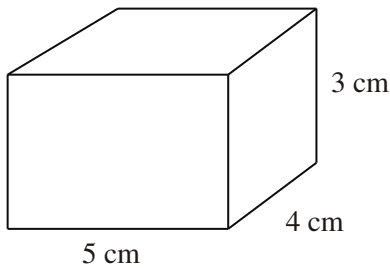


Diagram **NOT** accurately drawn

What is the total surface area of this cuboid?

State the units with your answer.

.....

**(Total 4 marks)**

3. Here is a cuboid.

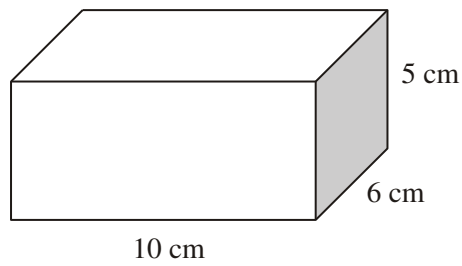


Diagram **NOT** accurately drawn

What is the total surface area of the cuboid?

State the units with your answer.

.....  
(Total 4 marks)

4.

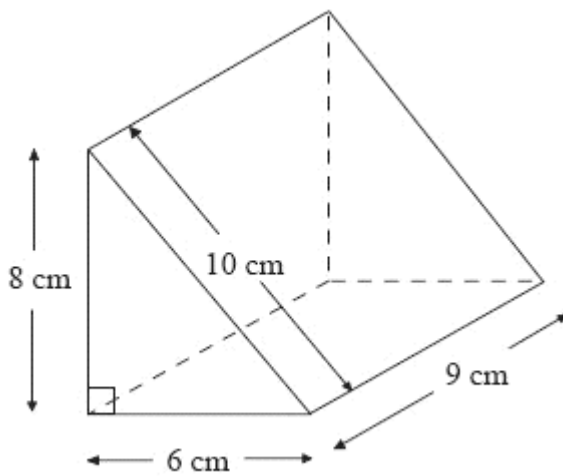


Diagram **NOT** accurately drawn

Work out the surface area of the triangular prism.  
State the units with your answer.

.....  
(Total 4 marks)

5.

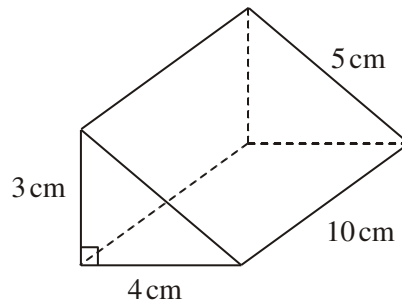


Diagram **NOT** accurately drawn

What is the total surface area of the triangular prism?

Work out the surface area of the triangular prism.

State the units with your answer.

.....

**(Total 4 marks)**

6.

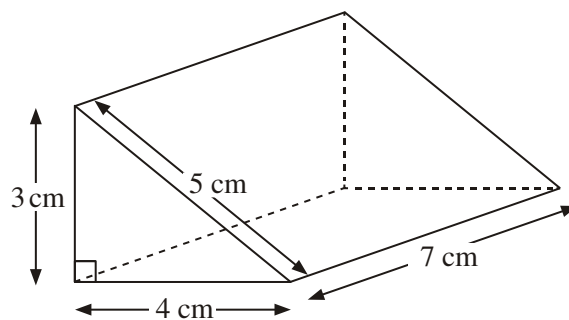


Diagram **NOT** accurately drawn

Work out the total surface area of the triangular prism.

..... cm<sup>2</sup>  
(Total 3 marks)

7.

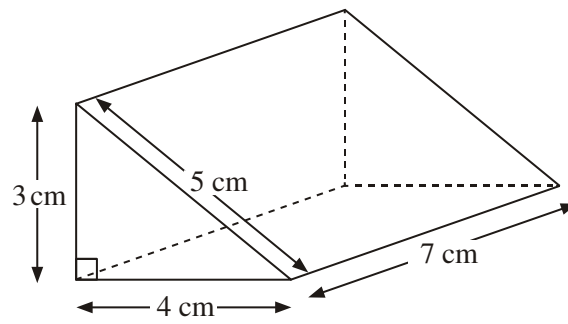


Diagram **NOT** accurately drawn

Work out the total surface area of the triangular prism.  
Give the units with your answer.

.....

**(Total 4 marks)**

8.

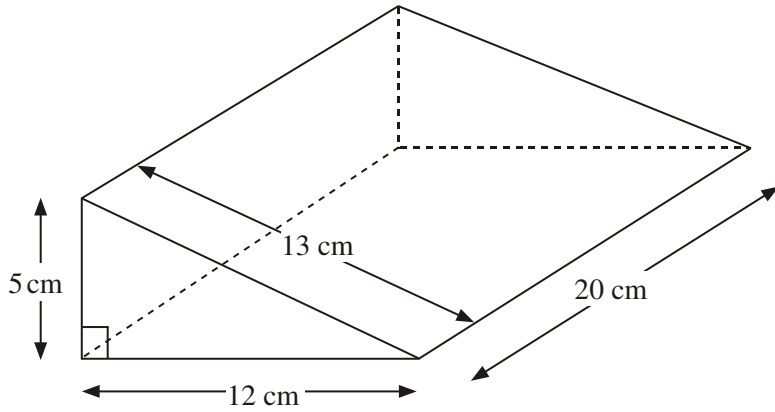


Diagram **NOT** accurately drawn

The diagram shows a right-angled triangular prism.

Work out the surface area of the triangular prism.

.....  $\text{cm}^2$   
(Total 3 marks)

9.

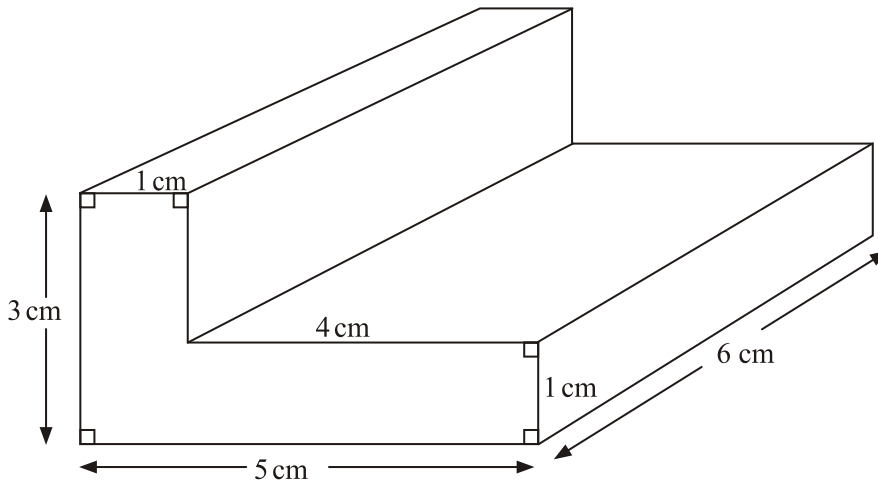


Diagram **NOT**  
accurately drawn

Work out the total surface area of the L-shaped prism.  
State the units with your answer.

.....  
(Total 4 marks)