

Area of Compound Shapes

Question Paper

Level	GCSE
Subject	Maths
Exam Board	Edexcel GCSE
Topic	Area of Compound Shapes
Grade Level	Grade 3
Booklet	Question Paper

Time Allowed: 36 minutes

Score: /30

Percentage: /100

Grade Boundaries:

1.

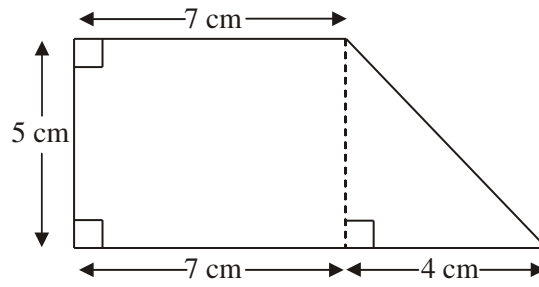


Diagram **NOT** accurately drawn

Work out the area of the shape.

..... cm^2
(Total 3 marks)

2.

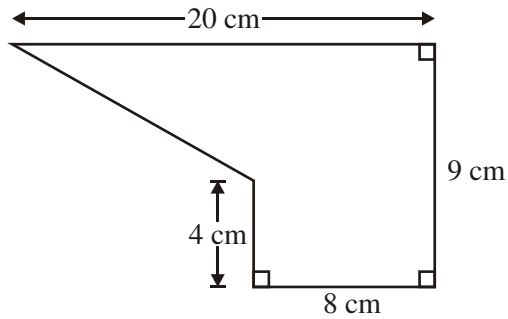


Diagram **NOT** accurately drawn

The diagram shows a shape.
Work out the area of the shape.

..... cm^2
(Total 4 marks)

3. Here is a trapezium.

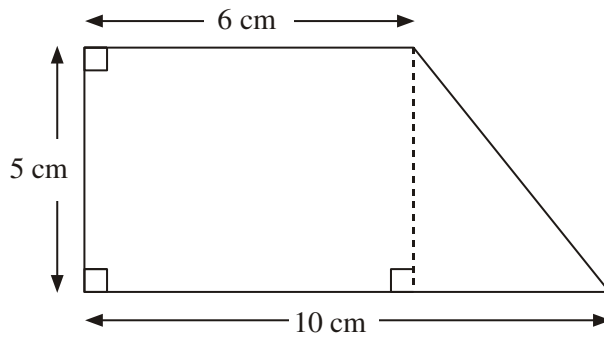


Diagram **NOT** accurately drawn

Work out the area of the trapezium.

..... cm^2
(Total 2 marks)

4. The diagram shows a wall with a door in it.

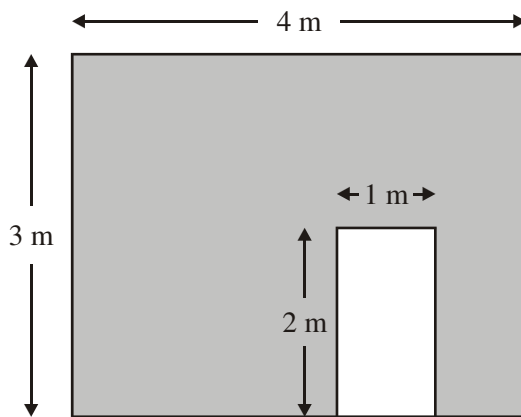
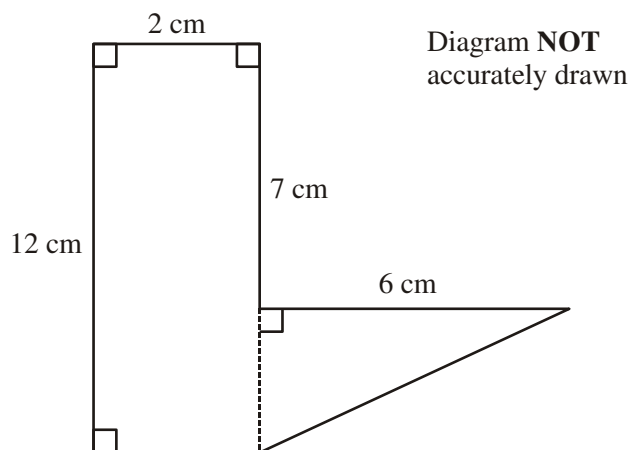


Diagram **NOT** accurately drawn

Work out the shaded area.

..... m^2
(3)
(Total 3 marks)

5. The diagram shows a 6-sided shape made from a rectangle and a right-angled triangle.



Work out the total area of the 6-sided shape.

.....cm²
(Total 3 marks)

6.

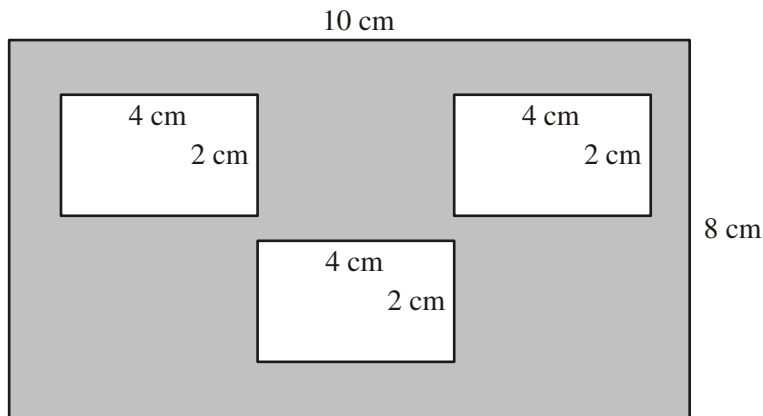


Diagram **NOT**
accurately drawn

The diagram shows 3 small rectangles inside a large rectangle.
The large rectangle is 10 cm by 8 cm.
Each of the 3 small rectangles is 4 cm by 2 cm.

Work out the area of the region shown shaded in the diagram.

.....cm²
(Total 3 marks)

7.

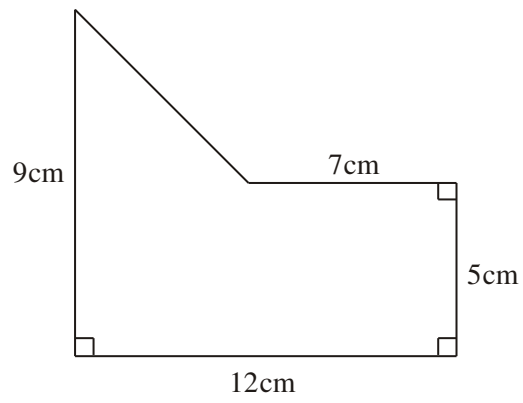


Diagram **NOT** accurately drawn

Work out the area of the shape.

..... cm²
(Total 4 marks)

8.

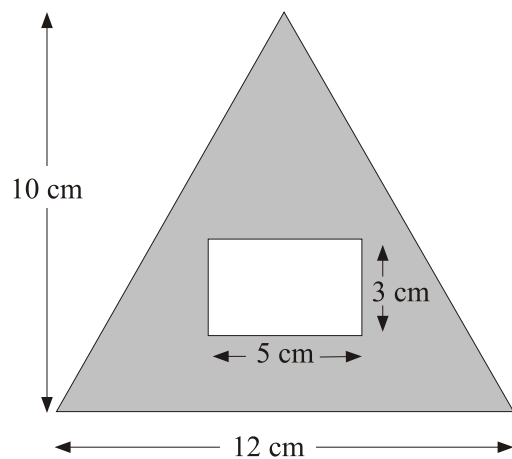


Diagram **NOT** accurately drawn

The diagram shows a rectangle inside a triangle.

The triangle has a base of 12 cm and a height of 10 cm.

The rectangle is 5 cm by 3 cm.

Work out the area of the region shown shaded in the diagram.

..... cm²
(Total 3 marks)

9.

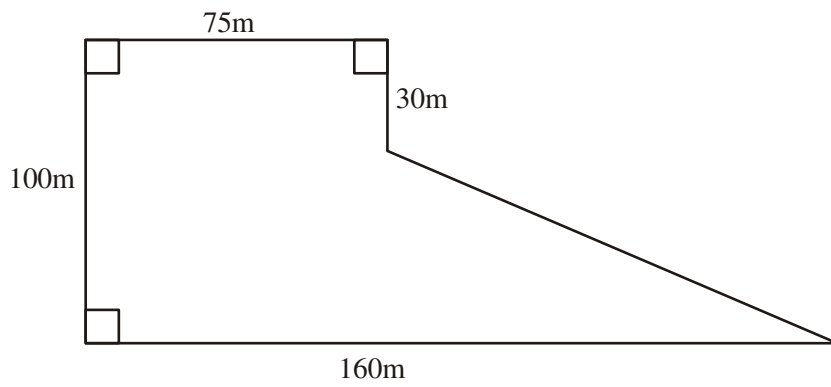


Diagram **NOT** accurately drawn

The diagram shows the plan of a field.

The farmer sells the field for £3 per square metre.

Work out the total amount of money the farmer should get.

£

(Total 5 marks)