

Electrical Quantities

Question Paper 7

Level	IGCSE
Subject	Physics
ExamBoard	CIE
Topic	Electricity and Magnetism
Sub-Topic	Electrical quantities
Paper Type	(Extended) Theory Paper
Booklet	Question Paper 7

Time Allowed: 54 minutes

Score: /45

Percentage: /100

- 1 In the circuit shown in Fig. 9.1, resistors can be connected between terminals P and Q. The e.m.f. of the battery is 6.0V.

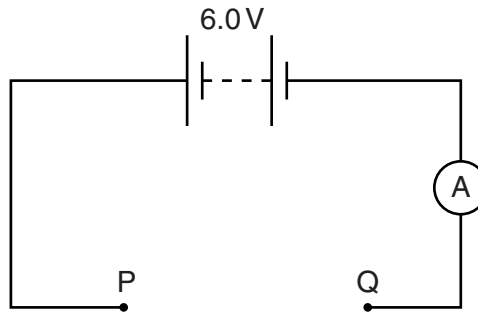


Fig. 9.1

- (a) Calculate the current shown by the ammeter when a 12.0Ω resistor and a 4.0Ω resistor are
- (i) connected in series between P and Q,

current = [2]

- (ii) connected in parallel between P and Q.

current = [3]

- (b) State the relationship between

- (i) the resistance R and the length l of a wire of constant cross-sectional area,

.....

- (ii) the resistance R and the cross-sectional area A of a wire of constant length.

.....

[2]

- (c) The 12.0Ω and 4.0Ω resistors in (a) are wires of the same length and are made of the same alloy.

Calculate the ratio: $\frac{\text{cross-sectional area of } 12.0\Omega \text{ resistor}}{\text{cross-sectional area of } 4.0\Omega \text{ resistor}}$

ratio = [1]

[Total: 8]

2 Fig. 8.1 shows three cells each with e.m.f. 1.5V connected in series.

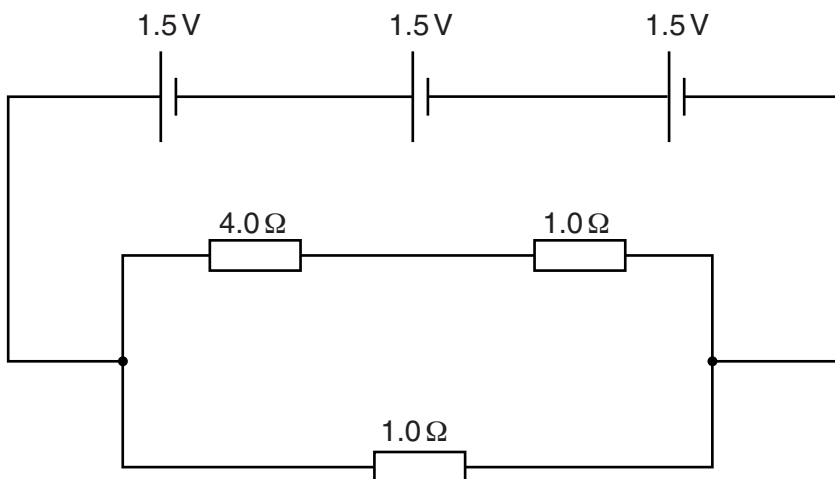


Fig. 8.1

(a) Calculate the combined e.m.f. of the cells.

e.m.f. = [1]

(b) Calculate the combined resistance of the three resistors shown in Fig. 8.1.

resistance = [2]

(c) Calculate the current in the 4.0 Ω resistor in Fig. 8.1.

current = [3]

(d) Calculate the combined e.m.f. of the cells if one cell is reversed.

e.m.f. = [1]

[Total: 7]

- 3 (a) Fig. 8.1 shows two resistors **X** and **Y** in series.

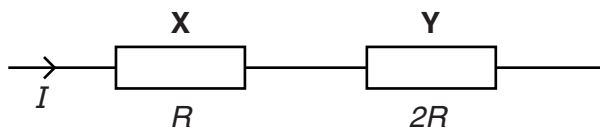


Fig. 8.1

Complete the table below, using only the symbols I and R , alone or in combination.

resistor	resistance	current	potential difference	power
X	R	I		I^2R
Y	$2R$		$2IR$	

[3]

- (b) Fig. 8.2 represents the system used to transmit electricity from a power station to a factory.

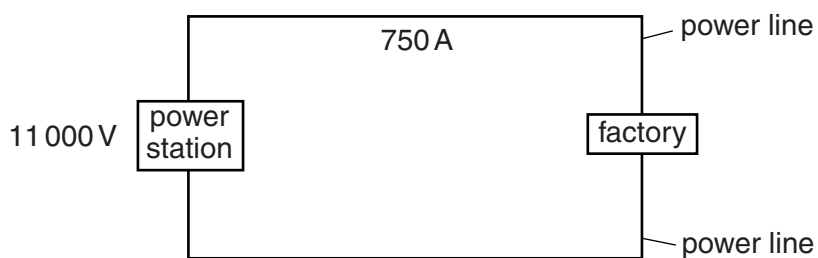


Fig. 8.2

The power station generates 11 000V and supplies a current of 750A. The total resistance of the power lines between the power station and the factory is 1.5Ω .

Calculate

- (i) the power output of the power station,

power = [1]

(ii) the potential difference across the $1.5\ \Omega$ of the power lines,

potential difference = [1]

(iii) the power supplied to the factory.

power = [3]

[Total: 8]

- 4 A student sets up a circuit containing three identical cells. Each cell has an e.m.f. (electromotive force) of 2.0V.

Fig. 8.1 shows the cells in series with a length of uniform metal wire connected between two terminals K and L, an ammeter and a resistor X.

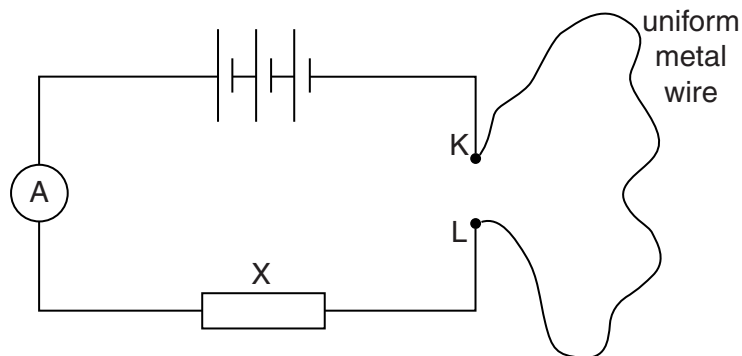


Fig. 8.1

- (a) State the total e.m.f. of the three cells in series.

total e.m.f. = [1]

- (b) The ammeter reading is 0.25 A.

- (i) State the name of the unit in which electric charge is measured.

.....[1]

- (ii) Calculate the charge that flows through the circuit in twelve minutes.

charge = [2]

- (iii) The metal wire has a resistance of 16Ω .

Calculate the resistance of resistor X.

resistance = [2]

(c) The student removes the 16Ω wire from the circuit and cuts it into two equal lengths.

He then connects the two lengths in parallel between K and L, as shown in Fig. 8.2.

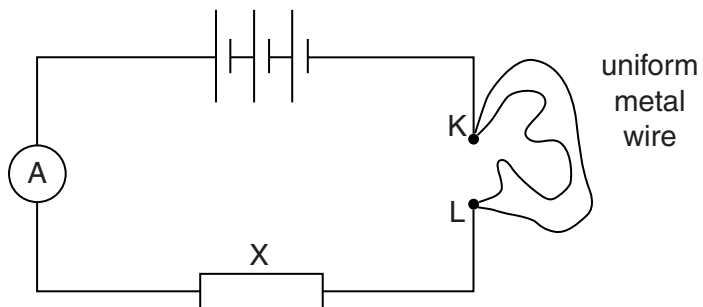


Fig. 8.2

Calculate the resistance of the two lengths of wire in parallel.

resistance = [3]

[Total: 9]

5 Fig. 9.1 shows the circuit that operates the two headlights and the two sidelights of a car.

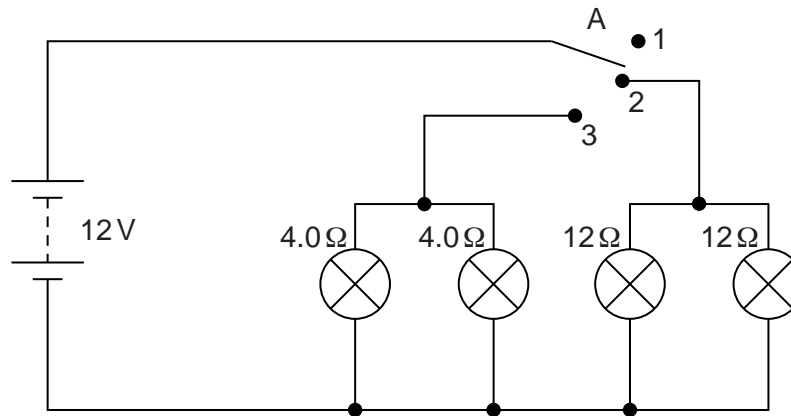


Fig. 9.1

Two of the lamps have resistances of 4.0Ω when lit. The other two lamps have resistances of 12Ω when lit. Switch A can be connected to positions 1, 2 or 3.

(a) State what happens when switch A is connected to

- (i) position 1,
- (ii) position 2,
- (iii) position 3.

[1]

(b) (i) State the potential difference across each lamp when lit.

potential difference = [1]

(ii) Calculate the current in each 12Ω lamp when lit.

current = [2]

- (c) Show, with reasons for your answer, which type of lamp, 4.0Ω or 12Ω , has the higher power.

.....

.....

.....

..... [3]

[Total: 7]

- 6 (a) An electrical safety expert is inspecting a laundry. The main workroom has a very hot and damp atmosphere.

The safety expert recommends that normal domestic light switches, as shown in Fig. 9.1, are replaced.

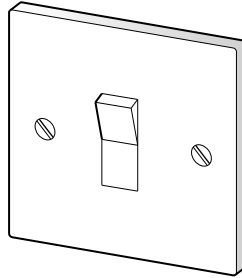


Fig. 9.1

- (i) Explain why this recommendation is made.

.....
.....
.....
..... [2]

- (ii) Suggest how the lights should be switched on and off.

.....
.....
.....
..... [1]

(b) Fig. 9.2 shows an aircraft being refuelled through a rubber hose.

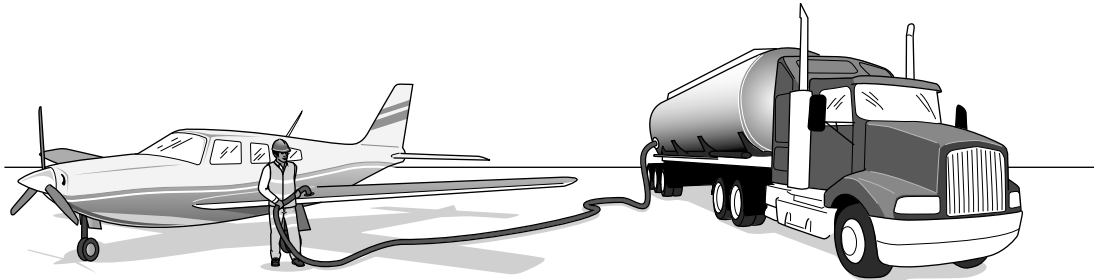


Fig. 9.2

(i) Suggest how fuel flowing through the hose can cause a large build-up of electric charge on the aircraft.

.....
.....
.....
..... [2]

(ii) The aircraft is refuelled on a particular day when the tyres and wheels are wet.
Explain why there will be no large build-up of charge in this case.

.....
.....
.....
..... [1]

[Total: 6]