

Location Entry Codes

As part of CIE's continual commitment to maintaining best practice in assessment, CIE uses different variants of some question papers for our most popular assessments with large and widespread candidature. The question papers are closely related and the relationships between them have been thoroughly established using our assessment expertise. All versions of the paper give assessment of equal standard.

The content assessed by the examination papers and the type of questions is unchanged.

This change means that for this component there are now two variant Question Papers, Mark Schemes and Principal Examiner's Reports where previously there was only one. For any individual country, it is intended that only one variant is used. This document contains both variants which will give all Centres access to even more past examination material than is usually the case.

The diagram shows the relationship between the Question Papers, Mark Schemes and Principal Examiners' Reports that are available.

Question Paper	Mark Scheme	Principal Examiner's Report
Introduction	Introduction	Introduction
First variant Question Paper	First variant Mark Scheme	First variant Principal Examiner's Report
Second variant Question Paper	Second variant Mark Scheme	Second variant Principal Examiner's Report

Who can I contact for further information on these changes?

Please direct any questions about this to CIE's Customer Services team at:

international@cie.org.uk

The titles for the variant items should correspond with the table above, so that at the top of the first page of the relevant part of the document and on the header, it has the words:

- First variant Question Paper / Mark Scheme / Principal Examiner's Report

or

- Second variant Question Paper / Mark Scheme / Principal Examiner's Report

as appropriate.



UNIVERSITY OF CAMBRIDGE INTERNATIONAL EXAMINATIONS
International General Certificate of Secondary Education

CANDIDATE
NAME

CENTRE
NUMBER

--	--	--	--	--

CANDIDATE
NUMBER

--	--	--	--

* 2 9 4 2 3 9 7 2 8 8 *

CHEMISTRY

0620/31

Paper 3 (Extended)

October/November 2008

1 hour 15 minutes

Candidates answer on the Question Paper.

No Additional Materials are required.

READ THESE INSTRUCTIONS FIRST

Write your Centre number, candidate number and name on all the work you hand in.

Write in dark blue or black pen.

You may use a pencil for any diagrams, graphs or rough working.

Do not use staples, paper clips, highlighters, glue or correction fluid.

DO NOT WRITE IN ANY BARCODES

Answer **all** questions.

A copy of the Periodic Table is printed on page 12.

At the end of the examination, fasten all your work securely together.

The number of marks is given in brackets [] at the end of each question or part questions.

For Examiner's Use	
1	
2	
3	
4	
5	
6	
7	
Total	

This document consists of **12** printed pages.



1 Complete the following table.

gas	test for gas
ammonia	
	bleaches damp litmus paper
hydrogen	
	relights a glowing splint
	turns limewater milky

[Total: 5]

*For
Examiner's
Use*

2 There are three types of giant structure – ionic, metallic and macromolecular.

(a) Sodium nitride is an ionic compound. Draw a diagram that shows the formula of the compound, the charges on the ions and the arrangement of the valency electrons around the negative ion.

Use x to represent an electron from a sodium atom.
Use o to represent an electron from a nitrogen atom.

[3]

(b) (i) Describe metallic bonding.

.....
..... [3]

(ii) Use the above ideas to explain why
metals are good conductors of electricity,

..... [1]
metals are malleable.

..... [2]

(c) Silicon(IV) oxide has a macromolecular structure.

(i) **Describe** the structure of silicon(IV) oxide (a diagram is not acceptable).

.....
.....
..... [3]

(ii) Diamond has a similar structure and consequently similar properties.
Give **two** physical properties common to both diamond and silicon(IV) oxide.

.....
..... [2]

[Total: 14]

3 Steel is an alloy made from impure iron.

(a) Both iron and steel rust. The formula for rust is $\text{Fe}_2\text{O}_3 \cdot 2\text{H}_2\text{O}$.
It is hydrated iron(III) oxide.

(i) Name the **two** substances that must be present for rusting to occur.

..... [2]

(ii) Painting and coating with grease are two methods of preventing iron or steel from rusting. Give **two** other methods.

.....
..... [2]

(b) (i) Name a reagent that can reduce iron(III) oxide to iron.

..... [1]

(ii) Write a symbol equation for the reduction of iron(III) oxide, Fe_2O_3 , to iron.

..... [2]

(c) (i) Calculate the mass of one mole of $\text{Fe}_2\text{O}_3 \cdot 2\text{H}_2\text{O}$.

..... [1]

(ii) Use your answer to (i) to calculate the percentage of iron in rust.

.....
..... [2]

(d) Iron from the blast furnace is impure. Two of the impurities are carbon and silicon. These are removed by blowing oxygen through the molten iron and adding calcium oxide.

(i) Explain how the addition of oxygen removes carbon.

.....
..... [1]

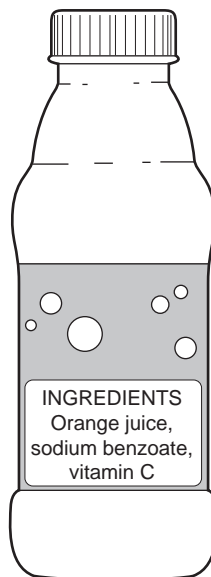
(ii) Explain how the addition of oxygen and calcium oxide removes silicon.

.....
..... [2]

[Total: 13]

- 4 Across the world, food safety agencies are investigating the presence of minute traces of the toxic hydrocarbon, benzene, in soft drinks. It is formed by the reduction of sodium benzoate by vitamin C.

For
Examiner's
Use



- (a) Sodium benzoate is a salt, it has the formula C_6H_5COONa . It can be made by the neutralisation of benzoic acid by sodium hydroxide.

(i) Deduce the formula of benzoic acid.

..... [1]

(ii) Write a word equation for the reaction between benzoic acid and sodium hydroxide.

..... [1]

(iii) Name **two** other compounds that would react with benzoic acid to form sodium benzoate.

..... [2]

- (b) Benzene contains 92.3% of carbon and its relative molecular mass is 78.

(i) What is the percentage of hydrogen in benzene?

..... [1]

(ii) Calculate the ratio of moles of C atoms: moles of H atoms in benzene.

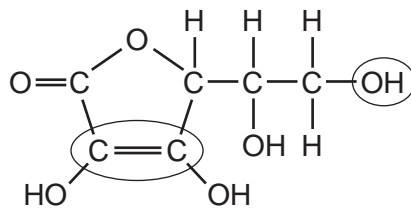
.....
..... [2]

(iii) Calculate its empirical formula and **then** its molecular formula.

The empirical formula of benzene is

The molecular formula of benzene is [2]

(c) The structural formula of Vitamin C is drawn below.



For
Examiner's
Use

(i) What is its molecular formula?

..... [1]

(ii) Name the two functional groups which are circled.

..... [2]

[Total: 12]

5 The electrolysis of concentrated aqueous sodium chloride produces three commercially important chemicals hydrogen, chlorine and sodium hydroxide.

For
Examiner's
Use

(a) The ions present are $\text{Na}^+(\text{aq})$, $\text{H}^+(\text{aq})$, $\text{Cl}^-(\text{aq})$ and $\text{OH}^-(\text{aq})$.

(i) Complete the ionic equation for the reaction at the negative electrode (cathode).



(ii) Complete the ionic equation for the reaction at the positive electrode (anode).



(iii) Explain why the solution changes from sodium chloride to sodium hydroxide.

..... [1]

(b) (i) Why does the water supply industry use chlorine?

..... [1]

(ii) Name an important chemical that is made from hydrogen.

..... [1]

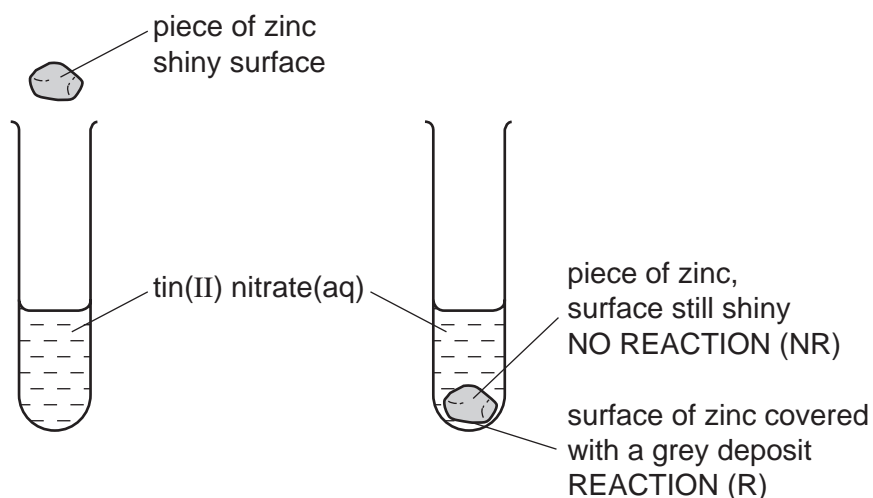
(iii) How is sodium hydroxide used to make soap?

..... [2]

[Total: 7]

6 The reactivity series lists metals in order of reactivity.

- (a) To find out which is the more reactive metal, zinc or tin, the following experiment could be carried out.



This experiment could be carried out with other metals and the results recorded in a table. Then the order of reactivity can be deduced.

- (i) The order was found to be:
- | | |
|-----------|----------------|
| manganese | most reactive |
| zinc | |
| tin | |
| silver | least reactive |

Complete the table of results from which this order was determined.

aqueous solution	tin Sn	manganese Mn	silver Ag	zinc Zn
tin(II) nitrate		R	NR	R
manganese(II) nitrate				
silver(I) nitrate				
zinc nitrate				

[3]

- (ii) Write the ionic equation for the reaction between tin atoms and silver(I) ions.

.....

[2]

- (iii) The following is a redox reaction.



Indicate on the equation the change which is oxidation.
Give a reason for your choice.

..... [2]

- (iv) Explain why experiments of this type cannot be used to find the position of aluminium in the reactivity series.

.....
..... [2]

- (b) Potassium and calcium are very reactive metals at the top of the series. Because their ions have different charges, K^+ and Ca^{2+} , their compounds behave differently when heated.

- (i) Explain why the ions have different charges.

.....
..... [2]

- (ii) Their hydroxides are heated.
If the compound decomposes, complete the word equation.
If it does not decompose, write "no reaction".

Potassium hydroxide \longrightarrow

Calcium hydroxide \longrightarrow [2]

- (iii) Complete the equations for the decomposition of their nitrates.

$2\text{KNO}_3 \longrightarrow$ +

$2\text{Ca}(\text{NO}_3)_2 \longrightarrow$ + + [4]

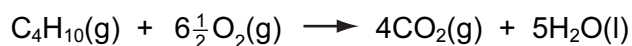
[Total: 17]

- 7 The alkanes are generally unreactive. Their reactions include combustion, substitution and cracking.

For
Examiner's
Use

(a) The complete combustion of an alkane gives carbon dioxide and water.

- (i) 10 cm³ of butane is mixed with 100 cm³ of oxygen, which is an excess. The mixture is ignited. What is the volume of unreacted oxygen left and what is the volume of carbon dioxide formed?



Volume of oxygen left = cm³

Volume of carbon dioxide formed = cm³ [2]

- (ii) Why is the incomplete combustion of any alkane dangerous, particularly in an enclosed space?

.....
..... [2]

(b) The equation for a substitution reaction of butane is given below.



- (i) Name the organic product.

..... [1]

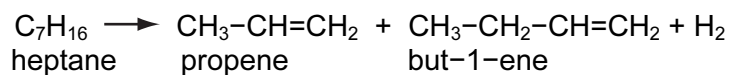
- (ii) This reaction does not need increased temperature or pressure. What is the essential reaction condition?

..... [1]

- (iii) Write a different equation for a substitution reaction between butane and chlorine.

..... [1]

- (c) Alkenes are more reactive and industrially more useful than alkanes. They are made by cracking alkanes.



- (i) Draw the structural formula of the polymer poly(propene).

[2]

- (ii) Give the structural formula and name of the alcohol formed when but-1-ene reacts with steam.

name

[1]

structural formula

[1]

- (iii) Deduce the structural formula of the product formed when propene reacts with hydrogen chloride.

[1]

[Total: 12]

DATA SHEET
The Periodic Table of the Elements

		Group																																																																																																																																																																																																																																																																																																																								
I	II	III	IV	V	VI	VII	0																																																																																																																																																																																																																																																																																																																			
		1 H Hydrogen 1											2 He Helium 2																																																																																																																																																																																																																																																																																																													
7 Li Lithium 3	9 Be Beryllium 4											19 F Fluorine 9	20 Ne Neon 10																																																																																																																																																																																																																																																																																																													
23 Na Sodium 11	24 Mg Magnesium 12	27 Al Aluminium 13	28 Si Silicon 14	31 P Phosphorus 15	32 S Sulphur 16	35.5 Cl Chlorine 17	40 Ar Argon 18																																																																																																																																																																																																																																																																																																																			
39 K Potassium 19	40 Ca Calcium 20	59 Co Cobalt 27	56 Fe Iron 26	55 Mn Manganese 25	59 Ni Nickel 28	64 Cu Copper 29	65 Zn Zinc 30	70 Ga Gallium 31	73 Ge Germanium 32	75 As Arsenic 33	79 Se Selenium 34	80 Br Bromine 35	84 Kr Krypton 36																																																																																																																																																																																																																																																																																																													
85 Rb Rubidium 37	88 Sr Strontium 38	91 Zr Zirconium 40	90 Y Yttrium 39	93 Nb Niobium 41	96 Mo Molybdenum 42	103 Rh Rhodium 45	106 Pd Palladium 46	108 Ag Silver 47	112 Cd Cadmium 48	115 In Indium 49	119 Sn Tin 50	122 Sb Antimony 51	127 I Iodine 53	131 Xe Xenon 54																																																																																																																																																																																																																																																																																																												
133 Cs Caesium 55	137 Ba Barium 56	178 Hf Hafnium 72	181 Ta Tantalum 73	184 W Tungsten 74	186 Re Rhenium 75	190 Os Osmium 76	195 Pt Platinum 78	197 Au Gold 79	201 Hg Mercury 80	204 Tl Thallium 81	207 Pb Lead 82	209 Bi Bismuth 83	210 Po Polonium 84	210 Rn Radon 86																																																																																																																																																																																																																																																																																																												
226 Ra Radium 88	227 Ac Actinium 89											169 Tm Thulium 69	173 Yb Ytterbium 70	175 Lu Lutetium 71																																																																																																																																																																																																																																																																																																												
												167 Er Erbium 68	168 Fm Fermium 100	101 Md Mendelevium 101	102 No Nobelium 102																																																																																																																																																																																																																																																																																																											
												159 Tb Terbium 65	157 Gd Gadolinium 64	156 Bk Berkelium 97	154 Cm Curium 96	152 Eu Europium 63	151 Am Americium 95																																																																																																																																																																																																																																																																																																									
												150 Sm Samarium 62	149 Pm Promethium 61	148 Np Neptunium 93	147 U Uranium 92	146 Pa Protactinium 91	145 Th Thorium 90																																																																																																																																																																																																																																																																																																									
												144 Nd Neodymium 60	143 Pr Praseodymium 59	142 Ce Cerium 58	141 Pu Plutonium 94	140 Am Americium 95	139 U Uranium 92	138 Pa Protactinium 91	137 Th Thorium 90																																																																																																																																																																																																																																																																																																							
												139 Y Yttrium 39	138 La Lanthanum 57	137 Ba Barium 56	136 La Lanthanum 57	135 Ce Cerium 58	134 Pr Praseodymium 59	133 Nd Neodymium 60	132 Pm Promethium 61	131 Sm Samarium 62	130 Eu Europium 63	129 Gd Gadolinium 64	128 Tb Terbium 65	127 Dy Dysprosium 66	126 Ho Holmium 67	125 Er Erbium 68	124 Fm Fermium 100	123 Es Einsteinium 99	122 Cf Californium 98	121 Bk Berkelium 97	120 Cm Curium 96	119 Am Americium 95	118 Eu Europium 63	117 Gd Gadolinium 64	116 Tb Terbium 65	115 Dy Dysprosium 66	114 Ho Holmium 67	113 Er Erbium 68	112 Fm Fermium 100	111 Es Einsteinium 99	110 Cf Californium 98	109 Bk Berkelium 97	108 Cm Curium 96	107 Am Americium 95	106 Eu Europium 63	105 Gd Gadolinium 64	104 Tb Terbium 65	103 Dy Dysprosium 66	102 Ho Holmium 67	101 Er Erbium 68	100 Fm Fermium 100	99 Es Einsteinium 99	98 Cf Californium 98	97 Bk Berkelium 97	96 Cm Curium 96	95 Am Americium 95	94 Pu Plutonium 94	93 Np Neptunium 93	92 U Uranium 92	91 Pa Protactinium 91	90 Th Thorium 90	89 Ac Actinium 89	88 Ra Radium 88	87 Fr Francium 87	86 Rn Radon 86	85 At Astatine 85	84 Po Polonium 84	83 Bi Bismuth 83	82 Pb Lead 82	81 Tl Thallium 81	80 Hg Mercury 80	79 Au Gold 79	78 Pt Platinum 78	77 Ir Iridium 77	76 Os Osmium 76	75 Re Rhenium 75	74 W Tungsten 74	73 Ta Tantalum 73	72 Hf Hafnium 72	71 Zr Zirconium 71	70 Y Yttrium 70	69 Sc Scandium 21	68 Ti Titanium 22	67 V Vanadium 23	66 Cr Chromium 24	65 Mn Manganese 25	64 Fe Iron 26	63 Co Cobalt 27	62 Ni Nickel 28	61 Cu Copper 29	60 Zn Zinc 30	59 Ga Gallium 31	58 Ge Germanium 32	57 As Arsenic 33	56 Se Selenium 34	55 Br Bromine 35	54 Kr Krypton 36	53 Xe Xenon 54	52 I Iodine 53	51 Sb Antimony 51	50 Sn Tin 50	49 In Indium 49	48 Cd Cadmium 48	47 Ag Silver 47	46 Pd Palladium 46	45 Rh Rhodium 45	44 Ru Ruthenium 44	43 Tc Technetium 43	42 Mo Molybdenum 42	41 Nb Niobium 41	40 Zr Zirconium 40	39 Y Yttrium 39	38 Sr Strontium 38	37 Rb Rubidium 37	36 K Potassium 19	35 Ca Calcium 20	34 Sc Scandium 21	33 Ti Titanium 22	32 V Vanadium 23	31 Cr Chromium 24	30 Mn Manganese 25	29 Fe Iron 26	28 Co Cobalt 27	27 Ni Nickel 28	26 Cu Copper 29	25 Zn Zinc 30	24 Ga Gallium 31	23 Ge Germanium 32	22 As Arsenic 33	21 Se Selenium 34	20 Br Bromine 35	19 Kr Krypton 36	18 Xe Xenon 54	17 I Iodine 53	16 Sb Antimony 51	15 Sn Tin 50	14 In Indium 49	13 Cd Cadmium 48	12 Ag Silver 47	11 Pd Palladium 46	10 Rh Rhodium 45	9 Ru Ruthenium 44	8 Tc Technetium 43	7 Mo Molybdenum 42	6 Nb Niobium 41	5 Zr Zirconium 40	4 Y Yttrium 39	3 Sc Scandium 21	2 Ti Titanium 22	1 V Vanadium 23	0 Cr Chromium 24	0 Mn Manganese 25	0 Fe Iron 26	0 Co Cobalt 27	0 Ni Nickel 28	0 Cu Copper 29	0 Zn Zinc 30	0 Ga Gallium 31	0 Ge Germanium 32	0 As Arsenic 33	0 Se Selenium 34	0 Br Bromine 35	0 Kr Krypton 36	0 Xe Xenon 54	0 I Iodine 53	0 Sb Antimony 51	0 Sn Tin 50	0 In Indium 49	0 Cd Cadmium 48	0 Ag Silver 47	0 Pd Palladium 46	0 Rh Rhodium 45	0 Ru Ruthenium 44	0 Tc Technetium 43	0 Mo Molybdenum 42	0 Nb Niobium 41	0 Zr Zirconium 40	0 Y Yttrium 39	0 Sc Scandium 21	0 Ti Titanium 22	0 V Vanadium 23	0 Cr Chromium 24	0 Mn Manganese 25	0 Fe Iron 26	0 Co Cobalt 27	0 Ni Nickel 28	0 Cu Copper 29	0 Zn Zinc 30	0 Ga Gallium 31	0 Ge Germanium 32	0 As Arsenic 33	0 Se Selenium 34	0 Br Bromine 35	0 Kr Krypton 36	0 Xe Xenon 54	0 I Iodine 53	0 Sb Antimony 51	0 Sn Tin 50	0 In Indium 49	0 Cd Cadmium 48	0 Ag Silver 47	0 Pd Palladium 46	0 Rh Rhodium 45	0 Ru Ruthenium 44	0 Tc Technetium 43	0 Mo Molybdenum 42	0 Nb Niobium 41	0 Zr Zirconium 40	0 Y Yttrium 39	0 Sc Scandium 21	0 Ti Titanium 22	0 V Vanadium 23	0 Cr Chromium 24	0 Mn Manganese 25	0 Fe Iron 26	0 Co Cobalt 27	0 Ni Nickel 28	0 Cu Copper 29	0 Zn Zinc 30	0 Ga Gallium 31	0 Ge Germanium 32	0 As Arsenic 33	0 Se Selenium 34	0 Br Bromine 35	0 Kr Krypton 36	0 Xe Xenon 54	0 I Iodine 53	0 Sb Antimony 51	0 Sn Tin 50	0 In Indium 49	0 Cd Cadmium 48	0 Ag Silver 47	0 Pd Palladium 46	0 Rh Rhodium 45	0 Ru Ruthenium 44	0 Tc Technetium 43	0 Mo Molybdenum 42	0 Nb Niobium 41	0 Zr Zirconium 40	0 Y Yttrium 39	0 Sc Scandium 21	0 Ti Titanium 22	0 V Vanadium 23	0 Cr Chromium 24	0 Mn Manganese 25	0 Fe Iron 26	0 Co Cobalt 27	0 Ni Nickel 28	0 Cu Copper 29	0 Zn Zinc 30	0 Ga Gallium 31	0 Ge Germanium 32	0 As Arsenic 33	0 Se Selenium 34	0 Br Bromine 35	0 Kr Krypton 36	0 Xe Xenon 54	0 I Iodine 53	0 Sb Antimony 51	0 Sn Tin 50	0 In Indium 49	0 Cd Cadmium 48	0 Ag Silver 47	0 Pd Palladium 46	0 Rh Rhodium 45	0 Ru Ruthenium 44	0 Tc Technetium 43	0 Mo Molybdenum 42	0 Nb Niobium 41	0 Zr Zirconium 40	0 Y Yttrium 39	0 Sc Scandium 21	0 Ti Titanium 22	0 V Vanadium 23	0 Cr Chromium 24	0 Mn Manganese 25	0 Fe Iron 26	0 Co Cobalt 27	0 Ni Nickel 28	0 Cu Copper 29	0 Zn Zinc 30	0 Ga Gallium 31	0 Ge Germanium 32	0 As Arsenic 33	0 Se Selenium 34	0 Br Bromine 35	0 Kr Krypton 36	0 Xe Xenon 54	0 I Iodine 53	0 Sb Antimony 51	0 Sn Tin 50	0 In Indium 49	0 Cd Cadmium 48	0 Ag Silver 47	0 Pd Palladium 46	0 Rh Rhodium 45	0 Ru Ruthenium 44	0 Tc Technetium 43	0 Mo Molybdenum 42	0 Nb Niobium 41	0 Zr Zirconium 40	0 Y Yttrium 39	0 Sc Scandium 21	0 Ti Titanium 22	0 V Vanadium 23	0 Cr Chromium 24	0 Mn Manganese 25	0 Fe Iron 26	0 Co Cobalt 27	0 Ni Nickel 28	0 Cu Copper 29	0 Zn Zinc 30	0 Ga Gallium 31	0 Ge Germanium 32



UNIVERSITY OF CAMBRIDGE INTERNATIONAL EXAMINATIONS
International General Certificate of Secondary Education

CANDIDATE
NAME

CENTRE
NUMBER

--	--	--	--	--

CANDIDATE
NUMBER

--	--	--	--

* 7 5 0 7 3 1 6 8 3 0 *

CHEMISTRY

0620/32

Paper 3 (Extended)

October/November 2008

1 hour 15 minutes

Candidates answer on the Question Paper.

No Additional Materials are required.

READ THESE INSTRUCTIONS FIRST

Write your Centre number, candidate number and name on all the work you hand in.

Write in dark blue or black pen.

You may use a pencil for any diagrams, graphs or rough working.

Do not use staples, paper clips, highlighters, glue or correction fluid.

DO NOT WRITE IN ANY BARCODES

Answer **all** questions.

A copy of the Periodic Table is printed on page 12.

At the end of the examination, fasten all your work securely together.

The number of marks is given in brackets [] at the end of each question or part questions.

For Examiner's Use	
1	
2	
3	
4	
5	
6	
7	
Total	

This document consists of **12** printed pages.



1 Complete the following table.

gas	test for gas
	turns damp red litmus paper blue
	bleaches damp litmus paper
hydrogen	
oxygen	
carbon dioxide	

[Total: 5]

*For
Examiner's
Use*

2 There are three types of giant structure – ionic, metallic and macromolecular.

(a) Sodium sulphide is an ionic compound. Draw a diagram that shows the formula of the compound, the charges on the ions and the arrangement of the valency electrons around the negative ion.

Use x to represent an electron from a sodium atom.
Use o to represent an electron from a sulphur atom.

[3]

(b) (i) Describe metallic bonding.

.....
..... [3]

(ii) Use the above ideas to explain why
metals are good conductors of electricity,

..... [1]

metals are malleable.

..... [2]

(c) Silicon(IV) oxide has a macromolecular structure.

(i) **Describe** the structure of silicon(IV) oxide (a diagram is not acceptable).

.....
.....
..... [3]

(ii) Diamond has a similar structure and consequently similar properties.
Give **two** physical properties common to both diamond and silicon(IV) oxide.

.....
..... [2]

[Total: 14]

3 Steel is an alloy made from impure iron.

(a) Both iron and steel rust. The formula for rust is $\text{Fe}_2\text{O}_3 \cdot 2\text{H}_2\text{O}$.
It is hydrated iron(III) oxide.

(i) Name the **two** substances that must be present for rusting to occur.

..... and [2]

(ii) Painting and coating with grease are two methods of preventing iron or steel from rusting. Give **two** other methods.

.....
..... [2]

(b) (i) Name a reagent that can reduce iron(III) oxide to iron.

..... [1]

(ii) Write a symbol equation for the reduction of iron(III) oxide, Fe_2O_3 , to iron.

..... [2]

(c) (i) Calculate the mass of one mole of $\text{Fe}_2\text{O}_3 \cdot 2\text{H}_2\text{O}$.

..... [1]

(ii) Use your answer to (i) to calculate the percentage of water in rust.

.....
..... [2]

(d) Iron from the blast furnace is impure. Two of the impurities are carbon and silicon. These are removed by blowing oxygen through the molten iron and adding calcium oxide.

(i) Explain how the addition of oxygen removes carbon.

.....
..... [1]

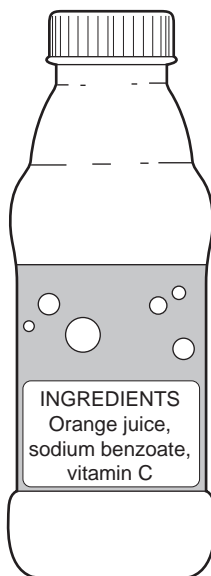
(ii) Explain how the addition of oxygen and calcium oxide removes silicon.

.....
..... [2]

[Total: 13]

- 4 Across the world, food safety agencies are investigating the presence of minute traces of the toxic hydrocarbon, benzene, in soft drinks. It is formed by the reduction of sodium benzoate by vitamin C.

For
Examiner's
Use



- (a) Sodium benzoate is a salt, it has the formula C_6H_5COONa . It can be made by the neutralisation of benzoic acid by sodium hydroxide.

- (i) Deduce the formula of benzoic acid.

..... [1]

- (ii) Write a word equation for the reaction between benzoic acid and sodium hydroxide.

..... [1]

- (iii) Name **two** other compounds that would react with benzoic acid to form sodium benzoate.

..... [2]

(b) Benzene contains 92.3% of carbon and its relative molecular mass is 78.

(i) What is the percentage of hydrogen in benzene?

..... [1]

(ii) Calculate the ratio of moles of C atoms: moles of H atoms in benzene.

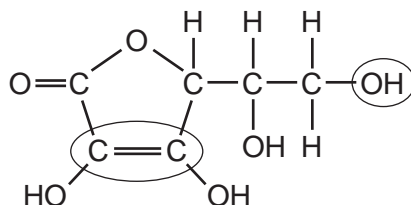
.....
..... [2]

(iii) Calculate its empirical formula and **then** its molecular formula.

The empirical formula of benzene is

The molecular formula of benzene is [2]

(c) The structural formula of Vitamin C is drawn below.



(i) What is its molecular formula?

..... [1]

(ii) Name the two functional groups which are circled.

..... [2]

[Total: 12]

5 The electrolysis of concentrated aqueous sodium chloride produces three commercially important chemicals; hydrogen, chlorine and sodium hydroxide.

For
Examiner's
Use

(a) The ions present are $\text{Na}^+(\text{aq})$, $\text{H}^+(\text{aq})$, $\text{Cl}^-(\text{aq})$ and $\text{OH}^-(\text{aq})$.

(i) Complete the ionic equation for the reaction at the negative electrode (cathode).



(ii) Complete the ionic equation for the reaction at the positive electrode (anode).



(iii) Explain why the solution changes from sodium chloride to sodium hydroxide.

..... [1]

(b) (i) Why does the water supply industry use chlorine?

..... [1]

(ii) Name an important chemical that is made from hydrogen.

..... [1]

(iii) Sodium hydroxide reacts with fats to make soap and glycerine
What type of compound are fats?

..... [1]

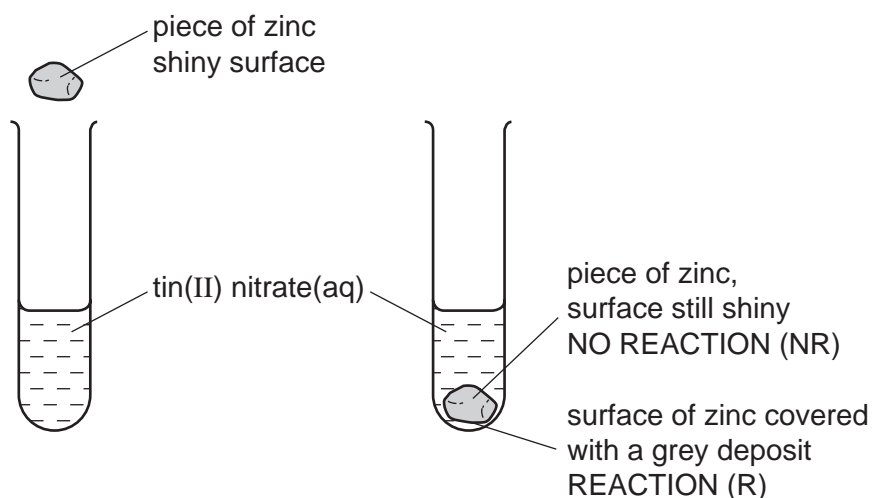
What type of the reaction is this?

..... [1]

[Total : 7]

6 The reactivity series lists metals in order of reactivity.

- (a) To find out which is the more reactive metal, zinc or tin, the following experiment could be carried out.



This experiment could be carried out with other metals and the results recorded in a table. Then the order of reactivity can be deduced.

- (i) The order was found to be:
 manganese most reactive
 zinc
 tin
 silver least reactive

Complete the table of results from which this order was determined.

aqueous solution	tin Sn	manganese Mn	silver Ag	zinc Zn
tin(II) nitrate		R	NR	R
manganese(II) nitrate				
silver(I) nitrate				
zinc nitrate				

[3]

- (ii) Write the equation for the reaction between zinc and silver(I) nitrate.

.....

[2]

- (iii) The following is a redox reaction.



Indicate on the equation which reagent is the oxidant or oxidizing agent.
Give a reason for your choice.

..... [2]

- (iv) Explain why experiments of this type cannot be used to find the position of aluminium in the reactivity series.

.....
..... [2]

- (b) Potassium and calcium are very reactive metals at the top of the series. Because their ions have different charges, K^+ and Ca^{2+} , their compounds behave differently when heated.

- (i) Explain why the ions have different charges.

.....
..... [2]

- (ii) Their hydroxides are heated.
If the compound decomposes, complete the word equation.
If it does not decompose, write "no reaction".

Potassium hydroxide \longrightarrow

Calcium hydroxide \longrightarrow [2]

- (iii) Complete the equations for the decomposition of their nitrates.

$2\text{KNO}_3 \longrightarrow$ +

$2\text{Ca}(\text{NO}_3)_2 \longrightarrow$ + + [4]

[Total: 17]

- 7 The alkanes are generally unreactive. Their reactions include combustion, substitution and cracking.

For
Examiner's
Use

(a) The complete combustion of an alkane gives carbon dioxide and water.

- (i) 20 cm³ of butane is mixed with 150 cm³ of oxygen, which is an excess. The mixture is ignited. What is the volume of unreacted oxygen left and what is the volume of carbon dioxide formed?



Volume of oxygen left = cm³

Volume of carbon dioxide formed = cm³ [2]

- (ii) Why is the incomplete combustion of any alkane dangerous, particularly in an enclosed space?

.....
..... [2]

(b) The equation for a substitution reaction of butane is given below.



- (i) Name the organic product.

..... [1]

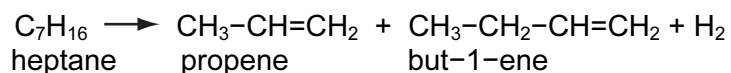
- (ii) This reaction does not need increased temperature or pressure. What is the essential reaction condition?

..... [1]

- (iii) Write a different equation for a substitution reaction between butane and chlorine.

..... [1]

- (c) Alkenes are more reactive and industrially more useful than alkanes. They are made by cracking alkanes.



- (i) Draw the structural formula of the polymer poly(propene).

[2]

- (ii) Give the structural formula and name of the alcohol formed when propene reacts with steam.

name

[1]

structural formula

[1]

- (iii) Deduce the structural formula of the product formed when but-1-ene reacts with hydrogen chloride.

[1]

[Total: 12]

For
Examiner's
Use

DATA SHEET
The Periodic Table of the Elements

		Group																		
		I	II	III	IV	V	VI	VII	0											
		1 H Hydrogen 1																		
7 Li Lithium 3	9 Be Beryllium 4																			
23 Na Sodium 11	24 Mg Magnesium 12																			
39 K Potassium 19	40 Ca Calcium 20	45 Sc Scandium 21	48 Ti Titanium 22	51 V Vanadium 23	52 Cr Chromium 24	55 Mn Manganese 25	56 Fe Iron 26	59 Co Cobalt 27	59 Ni Nickel 28	64 Cu Copper 29	65 Zn Zinc 30	70 Ga Gallium 31	73 Ge Germanium 32	75 As Arsenic 33	79 Se Selenium 34	80 Br Bromine 35	84 Kr Krypton 36			
85 Rb Rubidium 37	88 Sr Strontium 38	89 Y Yttrium 39	91 Zr Zirconium 40	93 Nb Niobium 41	96 Mo Molybdenum 42	101 Ru Ruthenium 44	101 Rh Rhodium 45	103 Rh Rhodium 45	106 Pd Palladium 46	108 Ag Silver 47	112 Cd Cadmium 48	115 In Indium 49	119 Sn Tin 50	122 Sb Antimony 51	128 Te Tellurium 52	127 I Iodine 53	131 Xe Xenon 54			
133 Cs Caesium 55	137 Ba Barium 56	139 La Lanthanum 57	178 Hf Hafnium 72	181 Ta Tantalum 73	184 W Tungsten 74	190 Os Osmium 76	190 Ir Iridium 77	192 Ir Iridium 77	195 Pt Platinum 78	197 Au Gold 79	201 Hg Mercury 80	204 Tl Thallium 81	207 Pb Lead 82	209 Bi Bismuth 83	210 Po Polonium 84	210 At Astatine 85	210 Rn Radon 86			
226 Ra Radium 88	227 Ac Actinium 89																			
		*58-71 Lanthanoid series																		
		†90-103 Actinoid series																		
		<table style="width: 100%; border-collapse: collapse;"> <tr> <td style="width: 10%; text-align: center;">a</td> <td style="width: 10%; text-align: center;">X</td> <td style="width: 10%; text-align: center;">a = relative atomic mass</td> </tr> <tr> <td style="width: 10%; text-align: center;">b</td> <td style="width: 10%; text-align: center;">X</td> <td style="width: 10%; text-align: center;">X = atomic symbol</td> </tr> <tr> <td style="width: 10%; text-align: center;"></td> <td style="width: 10%; text-align: center;">X</td> <td style="width: 10%; text-align: center;">b = proton (atomic) number</td> </tr> </table>										a	X	a = relative atomic mass	b	X	X = atomic symbol		X	b = proton (atomic) number
a	X	a = relative atomic mass																		
b	X	X = atomic symbol																		
	X	b = proton (atomic) number																		
		140 Ce Cerium 58	141 Pr Praseodymium 59	144 Nd Neodymium 60	144 Pm Promethium 61	150 Sm Samarium 62	152 Eu Europium 63	157 Gd Gadolinium 64	159 Tb Terbium 65	162 Dy Dysprosium 66	165 Ho Holmium 67	167 Er Erbium 68	169 Tm Thulium 69	173 Yb Ytterbium 70	175 Lu Lutetium 71					
		232 Th Thorium 90	232 Pa Protactinium 91	238 U Uranium 92	238 Np Neptunium 93	238 Pu Plutonium 94	238 Am Americium 95	238 Cm Curium 96	238 Bk Berkelium 97	238 Cf Californium 98	238 Es Einsteinium 99	238 Fm Fermium 100	238 Md Mendelevium 101	238 No Nobelium 102	238 Lr Lawrencium 103					

The volume of one mole of any gas is 24 dm³ at room temperature and pressure (r.t.p.).

Permission to reproduce items where third-party owned material protected by copyright is included has been sought and cleared where possible. Every reasonable effort has been made by the publisher (UCLES) to trace copyright holders, but if any items requiring clearance have unwittingly been included, the publisher will be pleased to make amends at the earliest possible opportunity.

University of Cambridge International Examinations is part of the Cambridge Assessment Group. Cambridge Assessment is the brand name of University of Cambridge Local Examinations Syndicate (UCLES), which is itself a department of the University of Cambridge.